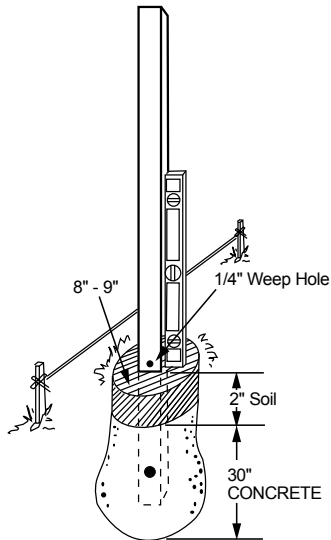


4000 Series Installation Instructions

Limited Lifetime Warranty

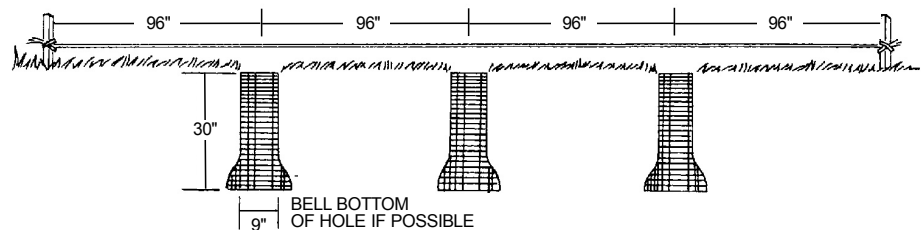
Always check local building codes, property lines and underground utilities before installation.



NOTE: These instructions must be followed exactly as written and the materials used must be exactly as shown in the instructions. Any deviation from the instructions or variation in the materials used/installed may result in an unsuccessful installation.

When core drilling any post product where water can build up, the installer is responsible to drill a 1/4" hole as close to the bottom of the post by concrete as possible. If there is no weep hole, you may have damage from moisture build up and freezing.

STEP 1: Layout the fence site with a string line. Determine the length of sections needed. Mark the ground where the centers of all post holes will be. For 2 1/2" post, the center of the hole will be 1 1/4" away from the string. Dig all holes. We recommend to have the bottom of the holes below the frost line (if possible) and bell-out the bottom of the holes to help prevent frost uplift. An 8" to 9" diameter hole is recommended for these posts.

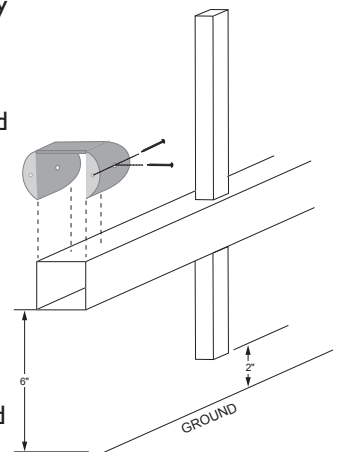


STEP 2: Setting posts and sections. Caps should be placed on posts before installation. Secure caps by tapping them on with a rubber mallet. Pour approximately half a bag of concrete mix in the hole. Place post in hole with concrete.

With the mount flange facing outward and the open end down, slide the mount over each end of the rails. With ends of rail aligned with flange of mount. Fasten mount to rail with screws provided. Place section into position (base of mount will seat in groove on post). Standard gap from ground is 2" (see chart for rail positions). Screw base of mount to post (screws provided). Slide cover over base by pressing down firmly until it is resting on the rail.

Place next post in hole with concrete. Level post and section to correct height according to height of fence. Pour more concrete around post. We recommend concrete be at least 8" below the ground. Repeat as above.

When all posts and sections are installed, double check all posts and fence height. Using a rod (or something similar), run it up and down through the concrete a few times around the post to help pack the concrete. Add some water to permanently set posts.



CUTTING DOWN: To cut down a section, hold section against posts. Position so there will be the same picket spacing on each end of the rails. Mark rails where they need to be cut. Cut rails to length.

NOTE: Make sure rails are cut with a 1/8" gap on each end between rails and posts.

See Step 2 for setting sections and posts.

GATE INSTALL: It is recommended to use aluminum post stiffeners inside each post by the gate. These add extra strength in supporting the gate. Install the stiffeners inside the gate posts when installing the posts. Place open side of post stiffener toward fence. If using a blank post, make sure the closed sides are towards the gate opening. Caps should be placed on posts before installation. Gates are pre-assembled; although, the hinges and latch need to be applied. Installation instructions are provided with the gate hardware.