

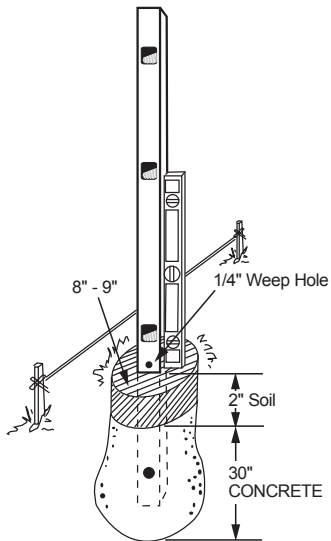
2000 Series Installation Instructions



Limited Lifetime Warranty

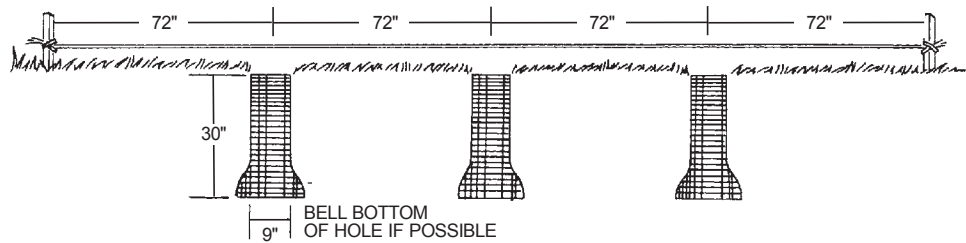
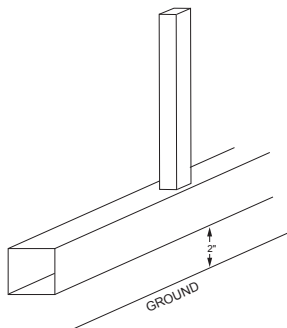
Always check local building codes, property lines and underground utilities before installation.

NOTE: These instructions must be followed exactly as written and the materials used must be exactly as shown in the instructions. Any deviation from the instructions or variation in the materials used/installed may result in an unsuccessful installation. When core drilling any post product where water can build up, the installer is responsible to drill a 1/4" hole as close to the bottom of the post by concrete as possible. If there is no weep hole, you may have damage from moisture build up and freezing. Sections will rack up to 20" in a standard 6' section.



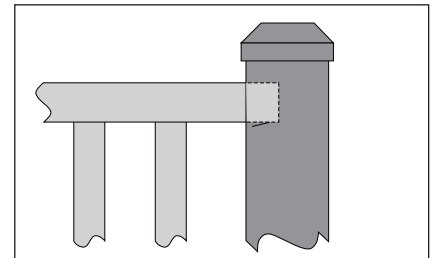
STEP 1: Layout the fence with a string line. Determine the length of sections needed. Mark the ground where the centers of all holes will be. For a 2" post, the center of the hole will be 1" away from the string. Dig all holes. We recommend to have the bottom of the holes below the frost line (if possible) and bell out the bottom of the holes to help prevent frost uplift. An 8" to 9" diameter hole is recommended for these posts.

STEP 2: Setting post and sections. Caps should be placed on posts before installation. Secure caps by either tapping them on a grassy area or with a mallet. Pour approximately half a bag of concrete mix in the hole. Place post in hole with concrete. Insert section. Place next post in hole with concrete. Level the post and section to the correct height according to the height of fence. Pour more concrete around the post. We recommend the concrete be at least 8" below the ground. Repeat as above.



When all posts and sections are installed, double check all posts and fence height. Using a rod (or something similar), run it up and down through the concrete a few times around the post to help pack the concrete. Add some water to permanently set posts.

CUTTING DOWN: To cut down a section, determine the length of section needed (measurement inside to inside of post plus 7/8"). Center section between posts, mark and cut. Notch end of rails using notching tool and install as shown.



REPLACING A PICKET: To replace a picket, first determine which side of the picket the e-clip is located. (All e-clips will be located on the same side in the section). Take a flat head screw driver under rail between picket and e-clip. Slide away from picket. Do this for all rails. Insert new picket with predrilled holes facing e-clip, slide e-clip toward picket with flat head screwdriver (or finger) until e-clip snaps into picket. If e-clip needs replaced, take needle nose pliers, squeeze e-clip together, twist and pull down. To insert new e-clip, squeeze e-clip together, twist, insert above track inside rail.

GATE INSTALL: It is recommended to use aluminum post stiffeners inside each post by the gate. These add extra strength in supporting the gate. Install the stiffeners inside the gate posts when installing the posts. Place open side of post stiffener toward fence. If using a blank post, make sure the closed sides are towards the gate opening. Caps should be placed on posts before installation. Gates are pre-assembled; although, the hinges and latch need to be applied. Installation instructions are provided with the gate hardware.